



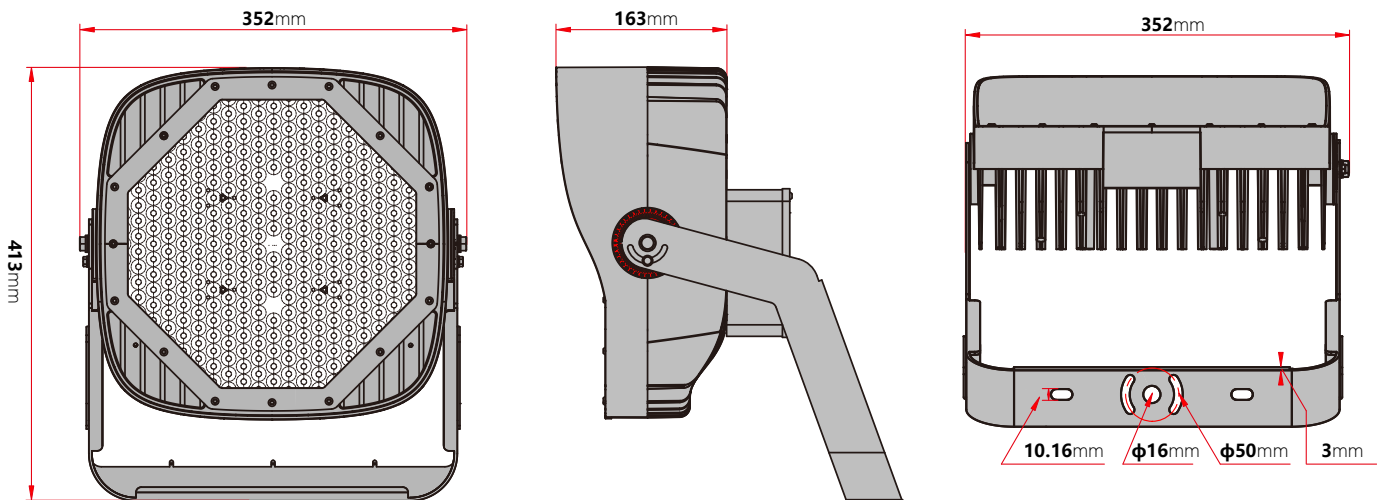
G4 LED STADIUM LIGHTING

300W, 400W, 500W, 600W

FEATURES

- Very low windage area (EPA)
- Only 352mm in diameter can easily replace HID / MH / HPS fixtures on existing poles, wiring and mounting arms
- One PCB board design, better glare control with our quality Lens
- Light weight design ensures less force on poles
- Unique hollow design for excellent heat dissipation

DIMENSIONS & WEIGHT



FIXTURE WEIGHT : 9.75 kg (Remote Drivers) / 13.85 kg (With Drivers)

- Standard thickness for the U-Bracket is 3mm, other thickness need to be customized.

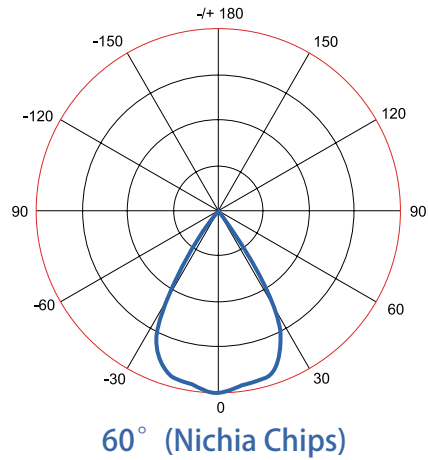
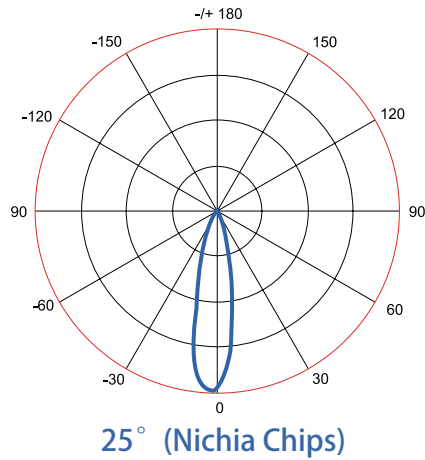
Jiaxing Shinetoo Lighting Co.,Ltd.

Add: No.258, Xingchang Road, Xincheng Town, Xiuzhou District, Jiaxing, Zhejiang, China 314015
Tel: +86-573-8350-0001 Fax: +86-573-8350-0005
Mobile: +86-138-0961-6725/+86-138-1878-3129
Email: Sales@stledlights.com

Shinetoos Lighting USA LLC

Add: 12638, 1265 Rand RD, Des Plaines, IL 60016
Ph: (224)567-8070 Ms:(847)899-1678
Email: Sales@stledlights.com

PHOTOMETRICS



ORDERING INFORMATION

EXAMPLE PART #: ST-G4-RSL - 300 - NICHIA - MEANWELL - 3K-70-25° - 100/277V

SERIES	WATTS	LED LIGHT SOURCE	DRIVER	CCT	CRI	LENS	INPUT POWER
ST-G4-RSL	300	NICHIA	MEANWELL	3K-3000k	70	25°	100-277V
	400	OSRAM	INVENTRONICS	4K-4000k	80	60°	180-528V (Optional)
	500			5K-5000k	90		
	600			5.7K-5700k			
				6.5K-6500k			

SPECIFICATIONS

Beam Angle | 25° / 60°
 Lumen Output | 36,000LM / 48,000LM
 60,000LM / 72,000LM
 OPERATING TEMPERATURE | -40°C to 50°C
 IP RATING | Standard with IP 65, IP66 is optional
 LIFE TIME | 50,000hours

LISTINGS

ETL Listed
 DLC Listed

Other Details

Fixture Material | Aluminum
 Mounting | Standard with U-Bracket, Slip Fitter and other adpters/arms can be customized
 Color | Stardard with Grey, Other colors can be customzied after confirmed RAL number
 Warranty | Standard with 5 years, 7 / 10 Years can be customzied
 EPA | 0.045 m² — 0.094 m²

SPARE PARTS (Order accessories as separate part number from your Fixture Model No.)



VGS: Visor Glare Shield



Remote Drivers

Distance from Luminaire May Not Exceed 100' .
Standard Remote Driver Distance from Luminaire is 6'
unless Otherwise Specified.



Adapters

NOTE: We can customize different types adapters and arms.

ADJUSTABLE MOUNT



15° — 165°



Adjustable loop mounting bracket rotates 15° — 165° for convenient optical control and easy replacement of existing fixture installations.