



UL: E361637



# G1-S3

## HIGH MAST LIGHTING

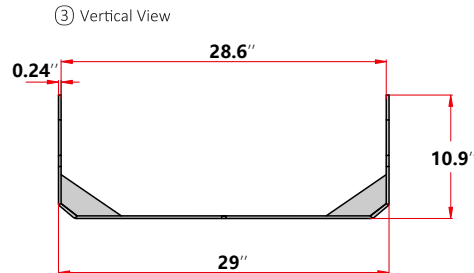
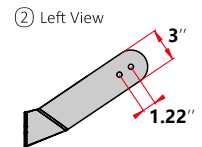
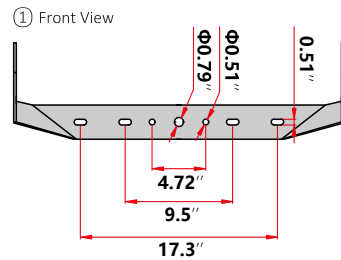
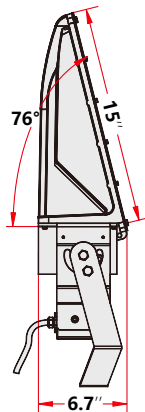
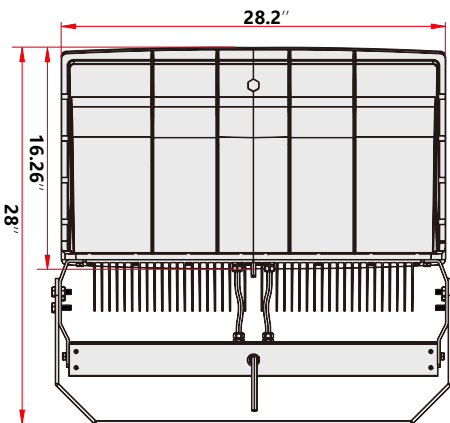
### 500W, 600W, 800W

### APPLICATIONS

- Sporting facilities and stadium lighting
- High mast roadway lighting
- Airport security lighting
- International borders
- Industrial & Commercial parking lots
- Rail yard lighting

### DIMENSION & WEIGHT

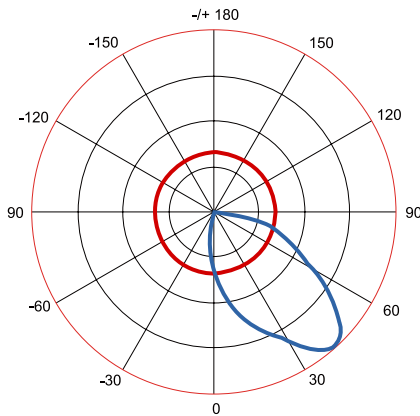
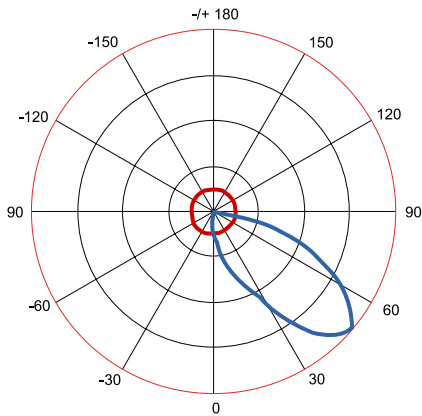
★ HANDLE THREE VIEW DRAWING



**FIXTURE WEIGHT : 74.36 lbs**

- Standard thickness for the U-Bracket is 0.24" , other thickness need to be customized.

## PHOTOMETRICS



## ORDERING INFORMATION

EXAMPLE PART #: ST-G1-S3 - 500 - NICHIA - MEANWELL - 3K-3000K - 70 - 100/277V

ST-G1-S3		NICHIA	MEANWELL			
SERIES	WATTS	LED LIGHT SOURCE	DRIVER	CCT	CRI	INPUT POWER
ST-G1-S3	500 600 800	NICHIA	MEANWELL	3K-3000k 4K-4000k 5K-5000k 5.7K-5700k 6.5K-6500k	70 80 90	100-277V 180-528V (Optional)

### SPECIFICATIONS

Beam Angle | Asymmetric  
Lumen Output | 65,000LM / 78,000LM / 104,000LM  
OPERATING TEMPERATURE | -104°F to 122°F  
IP RATING | IP 65  
LIFE TIME | 50,000hours

### LISTINGS

UL Listed  
DLC Listed

### Other Details

Fixture Material | Aluminum  
Mounting | U-Bracket / Slip Fitter (optional)  
Color | Grey (Other color available)  
Warranty | 7 years  
EPA | 0.75 ft<sup>2</sup> — 1.45 ft<sup>2</sup>

**SPARE PARTS** (Order accessories as separate part number from your Fixture Model No.)

---



COVER ASYMMETRICAL



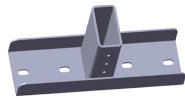
PROTECTIVE GRID



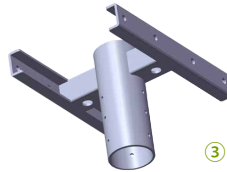
LOUVER ASYMMETRICAL



①



②



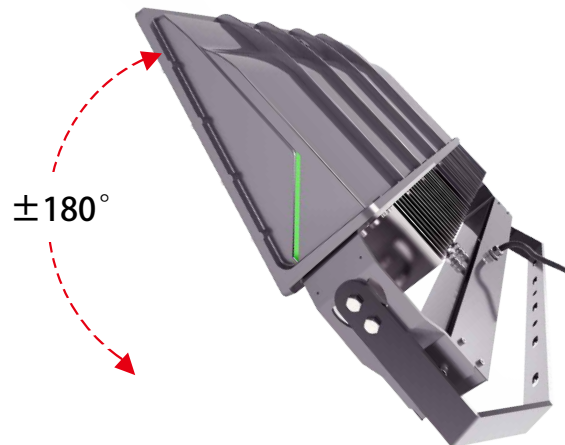
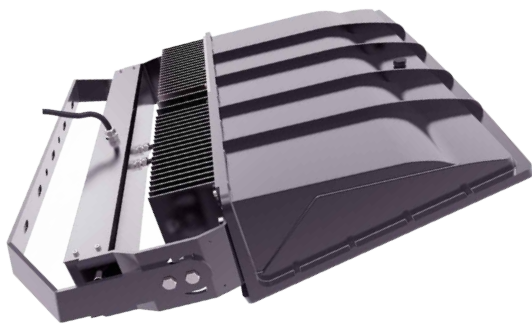
③



④

ADAPTERS NOTE: We can customize different types adapters and arms.

**ADJUSTABLE MOUNT**



Adjustable loop mounting bracket rotates 180° for convenient optical control and easy replacement of existing fixture installations.